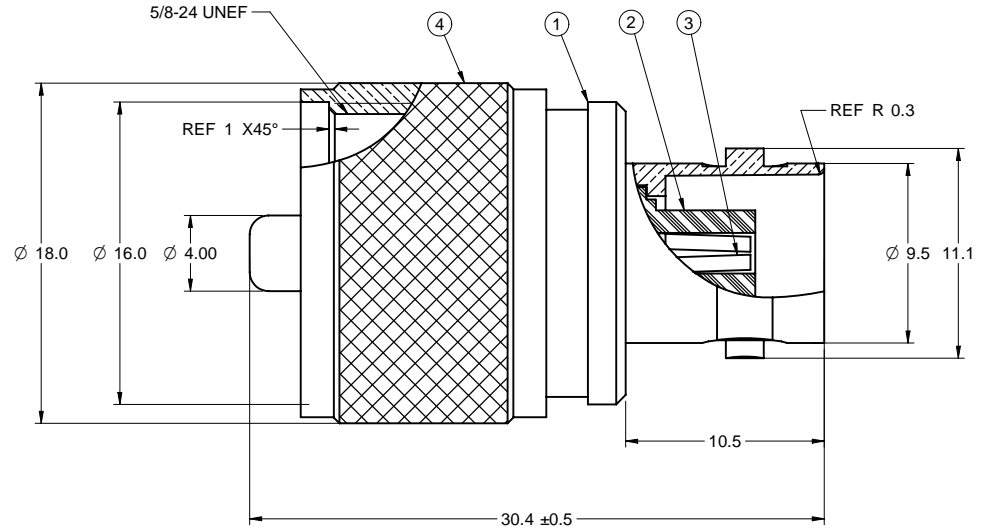
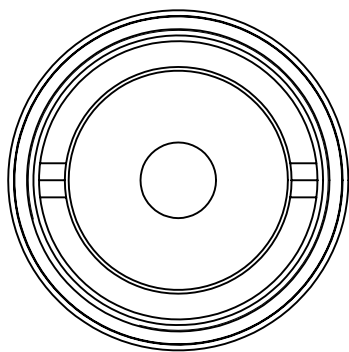


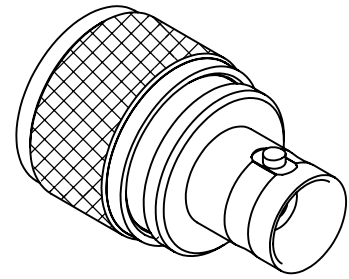
5	1	2	3	4
PART NUMBER	ITEM ① BODY	ITEM ② INSULATOR	ITEM ③ CONTACT	ITEM ④ NUT
27-8120	BRASS NICKEL PLATED	DELTRIN	BRASS GOLD PLATED	BRASS NICKEL PLATED

DRAWING NO. 27-8120	
<b>REVISIONS</b>	
A	RELEASE FOR QUOTATION 04-05-06 Y U W T
B	ADD NOTE 4&5 11-15-06 Y U W T
C	CHANGE TOLERANCE ON OVERALL LENGTH; ADD THREAD CHAMFER DIM. 12-20-06 L Y U T



**NOTES:**

- ELECTRICAL SPECIFICATIONS**  
 BNC IMPEDANCE: 50 OHMS NOMINAL  
 WORKING VOLTAGE: 500 Vrms MAX AT SEA LEVEL  
 DIELECTRIC WITHSTANDING VOLTAGE: 1500 VRMS AT SEA LEVEL  
 CORONA LEVEL: 375 VOLTS MINIMUM AT 70,000 FEET  
 CONTACT RESISTANCE: OUTER-0.2 MILLIOHMS MAXIMUM  
 CENTER-2.1 MILLIOHMS MAXIMUM  
 INSULATION RESISTANCE: 5000 MEGOHMS MINIMUM
- MECHANICAL SPECIFICATIONS**  
 DURABILITY: 500 CYCLES MIN  
 FORCE TO ENGAGE/DISENGAGE: 3 LBS MAX
- ENVIRONMENTAL SPECIFICATIONS**  
 RECOMMENDED TEMPERATURE RANGE: -55 °C TO +85°C  
 MOISTURE RESISTANCE: MIL-STD-202
- PRODUCT SHOULD BE RoHS COMPLIANCE**
- PACKAGING REQUIREMENT FOLLOWS ENGINEERING DOCUMENT P/N 836-4020001XX**



THIS DRAWING TO BE INTERPRETED  
PER ANSI Y 14.5M - 1994  
**COMPANY CONFIDENTIAL**

TOLERANCE UNLESS OTHERWISE SPECIFIED		DRAWN BY LINDA.WU	DATE 12-20-06
DECIMALS	mm	CHECKED BY BETTY.YU	DATE 12-20-06
X	+ 1.0	APPROVED BY THOMAS	DATE 12-20-06
X.X	+ 0.5		
X.XX	+ 0.2		
ANGLES	+ 0.5°	U/M	mm

<b>EMERSON</b> Network Power		<b>Connectivity Solutions</b>	
TITLE BNC JACK TO UHF PLUG ADAPTER			

THIS DRAWING WAS PRODUCED BY COMPUTER. DO NOT SCALE DRAWING OR UPDATE MANUALLY.		SHEET 1 OF 1	DRAWING NO. 27-8120	SIZE C
--	--	-----------------	------------------------	-----------